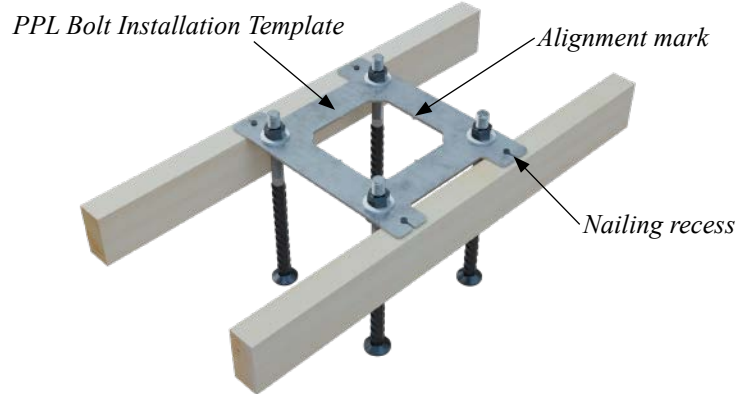


## PPL Bolt Installation Template

PPL Bolt Installation Template is a steel plate for installing bolts accurately into foundation castings. PPL Bolt Installation Template has holes (M thread size + 2 mm) for the bolts. PPL Bolt Installation Template can be secured with nails to the supporting base by its nailing recesses at the sides. PPL Bolt Installation Template has alignment marks for accurate positioning of the anchor bolt group to the module line.



### Benefits of PPL Bolt Installation Template

- Bolt group can be centered on the horizontal plane exactly to the right place.
- The bolts can be easily adjusted to the correct casting level.
- PPL Bolt Installation Template has exact dimensions. Bolts can be placed within +/- 1 mm tolerance relative to each other.
- PPL Bolt Installation Templates can be delivered together with Anchor Bolts.
- PPL Bolt Installation Template can be used for positioning the bolts of any shape of column. The number of bolts is not limited.
- PPL Bolt Installation Template works also in cases where there are different sizes of bolts in the cross-section. Bolts may also be indented the desired amount if greater concrete cover thickness is needed for column shoes and bolts.
- Casting of foundation can be done through the hole of PPL Bolt Installation Template.
- PPL Bolt Installation Templates take little space during transportation and storage. PPL Bolt Installation Templates can be used several times.

### Ordering PPL Bolt Installation Templates

When PPL Bolt Installation Templates are ordered the thread diameter of bolts, the number of bolts and the center-to-center dimensions must be specified. Examples:

1. **PPL45-4 360×360**: 4 pieces M45 bolts in square form.
2. **PPL39-4 500×400**: 4 pieces M39 bolts in rectangular form.
3. **PPL30-6 280×(190+190)**: 6 pieces M30 bolts rectangular form.
4. **PPL30-8 (190+190)×(190+190)**: 8 pieces M30 bolts in the form of a square.
5. **PPL30-3 300×300**: 3 pieces M30 bolts in the form of rectangular triangle.
6. **PPL24-8 D400**: 8 pieces M24 bolts in the form of circle with diameter of 400 mm.

PPL installation plate can also be manufactured according to drawing which presents the locations of the bolts and thread diameters.

